

8" WOOFER

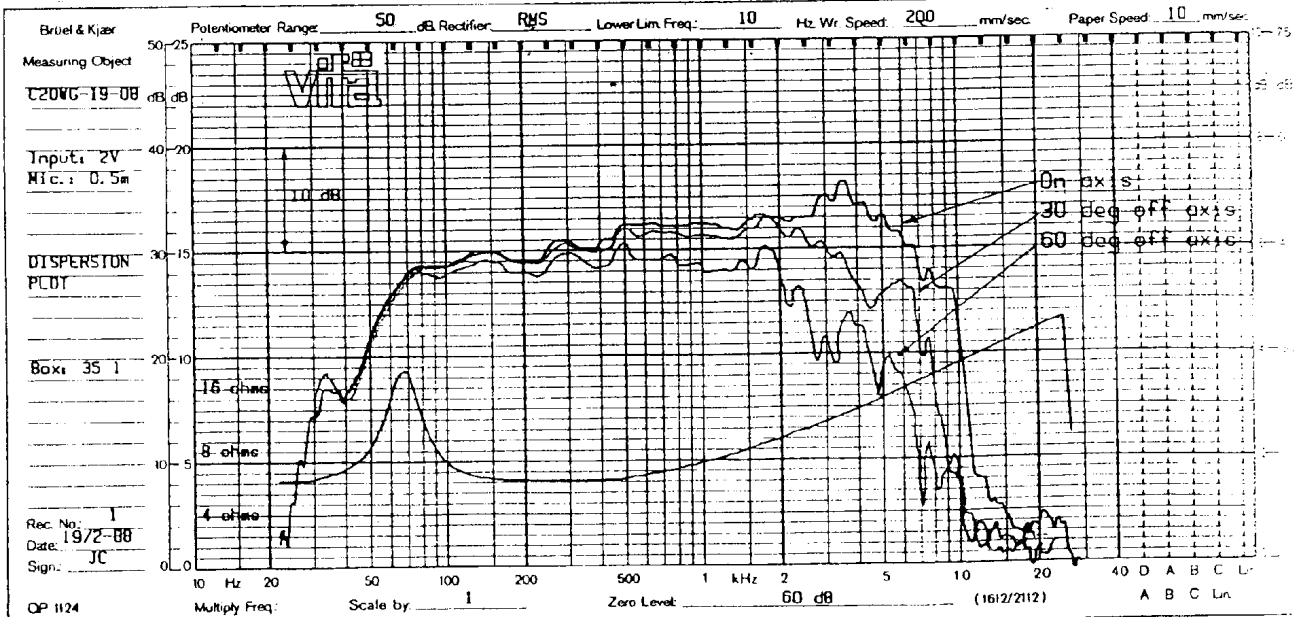
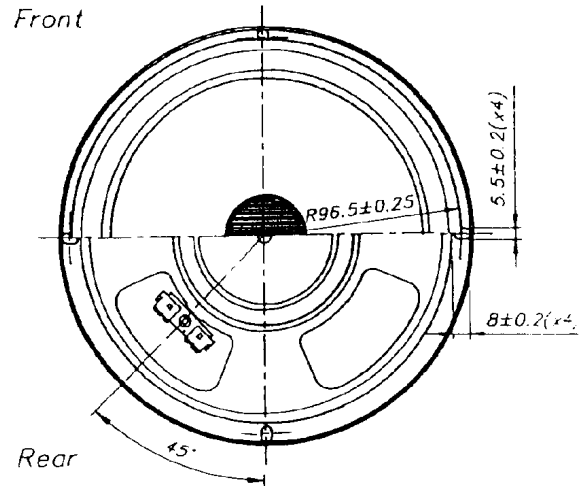
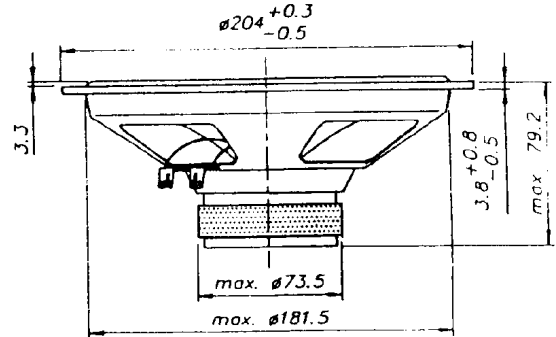
C20WG-19-08

SPECIAL FEATURES:

- SMOOTH FREQUENCY RESPONSE
- SPECIAL COATED PAPER CONE
- STEEL BASKET
- OPTIMIZED LARGE SIGNAL

CHARACTERISTICS

NOMINAL IMPEDANCE	8 Ω
NOMINAL POWER (IEC 268-5)	50 W
MUSIC POWER (DIN 45.500)	100 W
FREQUENCY RANGE	39-5000 Hz
SENSITIVITY (1W, 1m)	90 dB
EFFECTIVE CONE AREA	231 cm ²
VOICE COIL RESISTANCE	5,6 Ω
VOICE COIL INDUCTANCE	0,9 mH
OPERATING POWER	4 W
VOICE COIL DIAMETER	25 mm
VOICE COIL HEIGHT	12 mm
AIR GAP HEIGHT	6 mm
FREE AIR RESONANCE	39 Hz
MOVING MASS (incl. air)	15 g
FORCE FACTOR, B x l	4,5 T _{xm}
MAGNET WEIGHT	(8,5 oz) 240 g
Q _{ms}	4,1
Q _{es}	1,02
Q _{ts}	0,82
V _{as}	84 ltr



C20WG-19-08

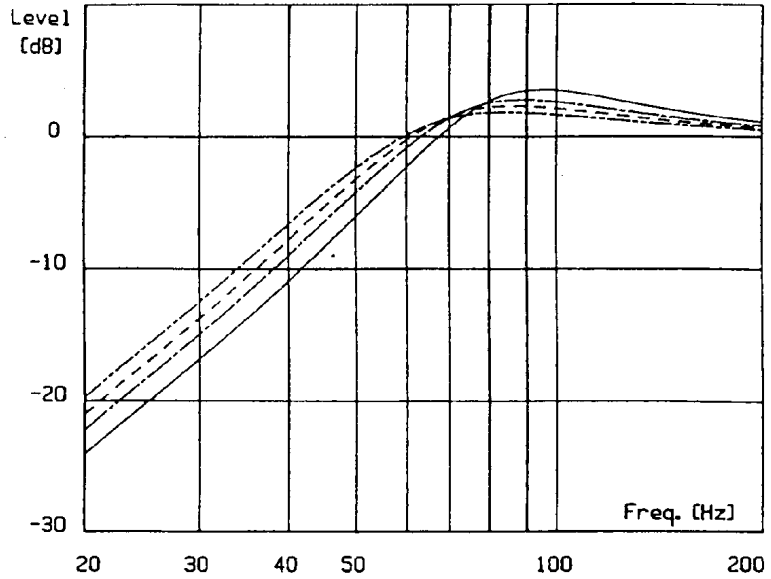
Applications

CLOSED BOX SYNTHESIS

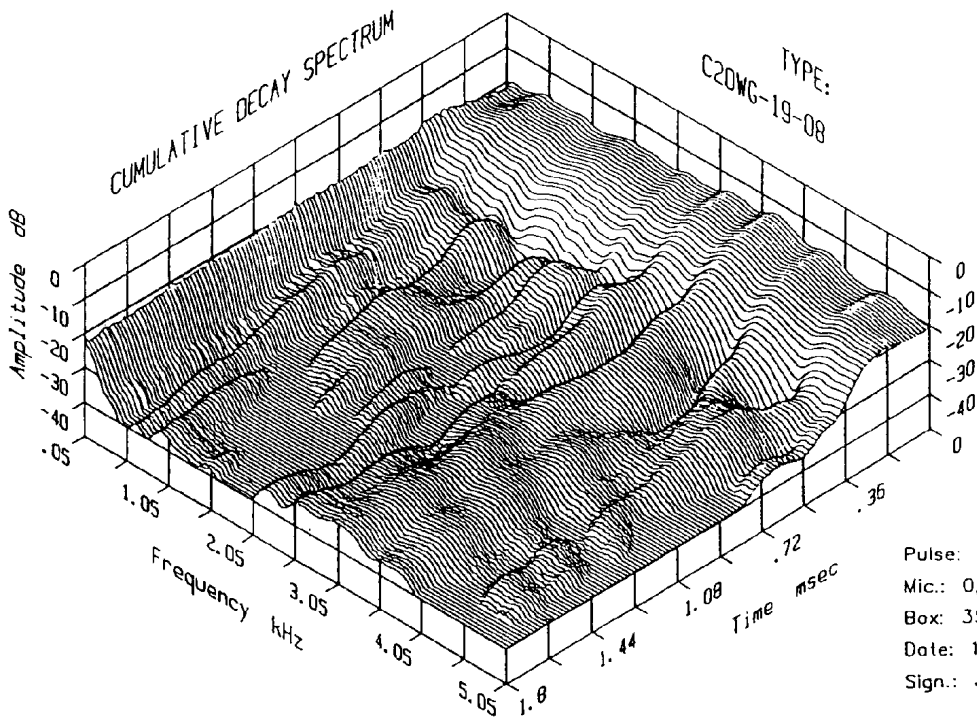
	Vb [Ltrs]	Fsb [Hz]	Qtsb
1	25	81	1.40
2	33	73	1.26
3	40	69	1.18
4	50	64	1.10

Vb : Box volume
 Fsb : Res. freq. in box
 Qtsb: Total Q in box

Moderate box damping ($R_m=1 \text{ Ns/m}$)



The C20WG-19-08 is intended for a closed box of 25-40 ltrs.
 The Q of the box can be lowered by adding damping material (glass wool or similar). This will also slightly shift the resonance frequency downwards.



Pulse: 25V/50µS
 Mic.: 0,25 m
 Box: 35 l
 Date: 17.02.88
 Sign.: JC